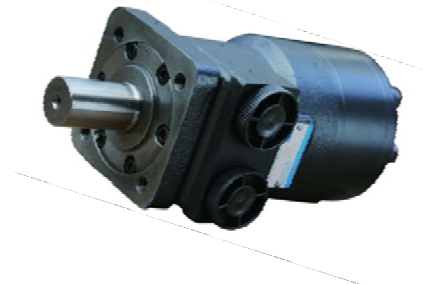
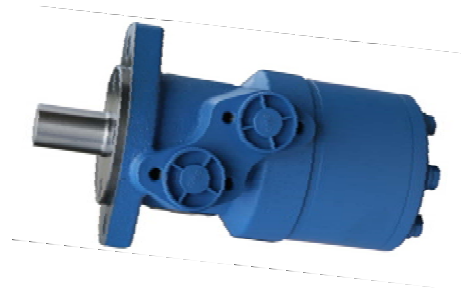




Low Speed High Torque Orbital Hydraulic Motors 低速大扭矩摆线液压马达

SMPS/SMRS Series Technical Information

SMPS/SMRS 系列马达 技术参数



Jining Kersen Hydraulics Co., Ltd. Tel: (86) 537 2635138/2613777 Fax: (86) 537 2613277

济宁科尔森液压有限公司

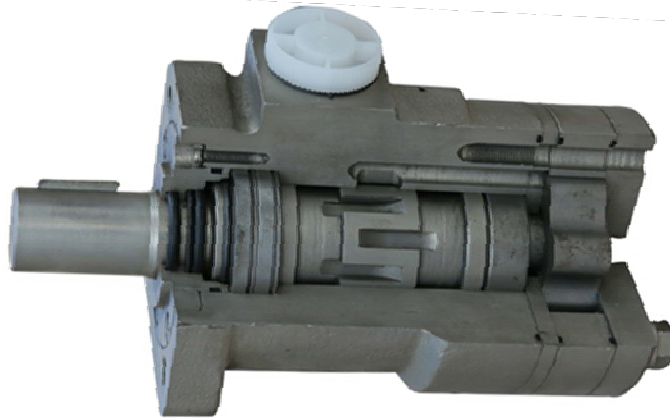
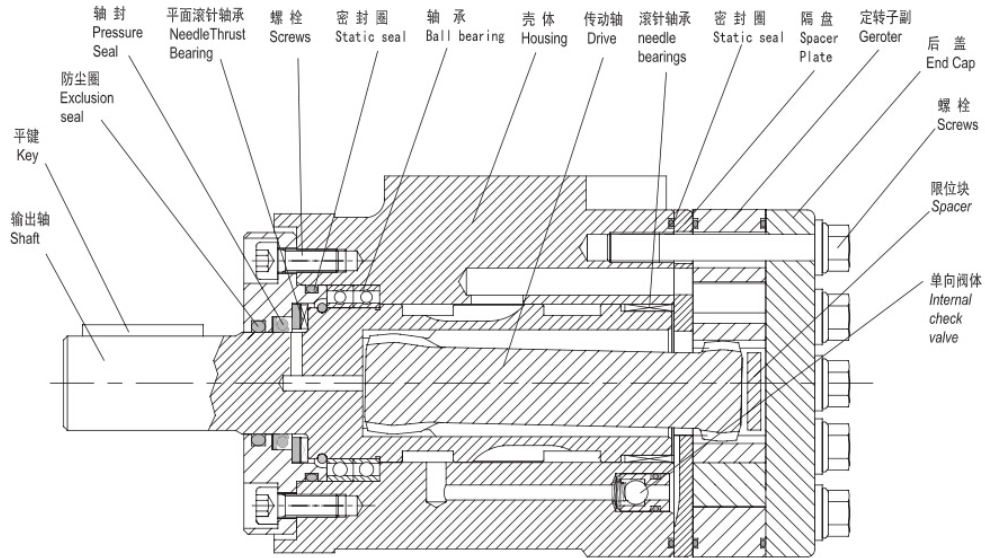
Tel: (86) 537 2635138/2613777 Fax: (86) 537 2613277

2014-10

SMPS/SMRS Series

SMPS/SMRS轴配流液压马达

SMPS/SMRS系列



SMPS 系列马达是一种轴配流液压马达，其特点：

SMPS series motors is spool valve motors , Characteristic features:

采用先进的定转子参数设计，启动压力低，效率高，运转平稳
Advanced manufacturing devices for the Geroler gear set, which use low pressure of start-up, provide smooth, reliable operation and high efficiency

输出轴采用轴承支撑，承受更高的压力，转速，更高的径向载荷能力
shaft use bearing ,higher pressure , speed and higher radial force

采用特殊轴密封，具有高被压承受能力，允许串，并联使用
Shaft seal can bear high pressure of back and the motor can be used in parallel or series.

多种法兰，输出轴，油口等安装连接形式，安装方便。
Wide variety of mounting flanges ,shaft port and easy installation

多种法兰，输出轴，油口等安装连接形式，安装方便。

Wide variety of mounting flanges ,shaft port and easy installation

• Specification Data

SMPS/SMRS轴配流液压马达

•性能参数

| Displacement(排量) cc/r | | 50 | 63 | 80 | 100 | 125 | 160 | 200 | 250 | 305 | 370 | 395 | |
|----------------------------|-------|-----------------------|------|-----|-----|-----|-----|-----|-----|-----|-----|-----|-----|
| Max.Speed 最高转速 | RPM | Continuous (连续) | 1000 | 796 | 627 | 501 | 401 | 313 | 250 | 200 | 164 | 135 | 126 |
| | | Intermittent (不连续) | 1180 | 950 | 748 | 598 | 478 | 374 | 299 | 239 | 196 | 161 | 151 |
| Flow 流量 | LPM | Continuous (连续) | 57 | 57 | 57 | 57 | 57 | 57 | 57 | 57 | 57 | 57 | 57 |
| | | Intermittent (不连续) | 68 | 68 | 68 | 68 | 68 | 68 | 68 | 68 | 68 | 68 | 68 |
| Torque N.m 扭矩 | | Continuous (连续) | 115 | 144 | 184 | 230 | 287 | 324 | 406 | 507 | 495 | 600 | 641 |
| | | Intermittent (不连续) | 128 | 162 | 205 | 257 | 321 | 368 | 460 | 575 | 619 | 751 | 855 |
| Pressure drop 压力(两油口压差) | Δ Bar | Continuous (连续) | 170 | 170 | 170 | 170 | 170 | 150 | 150 | 150 | 120 | 120 | 120 |
| | | Intermittent (不连续) | 190 | 190 | 190 | 190 | 190 | 170 | 170 | 170 | 150 | 150 | 150 |

Maximum Case Pressure -- Without Case Drain (不接外泄油口时, 壳体最大承受压力) ---90 Bar

A simultaneous maximum RPM and maximum pressure NOT recommended

Maximum pressure or maximum RPM operation: 10% of every minute

Recommended fluids: Anti-wear type of hydraulic oil. Viscosity recommended 37-73 cSt. Recommended filtration ISO18/13. Maximum operating temperature recommended 80°C

Special high pressure capacity shaft seal ensures back pressure up to 10 Mpa. Recommended preferable back pressure 5 Mpa. Case drain line is recommended when back pressure higher than 5 Mpa. When case drain line is used, make sure the motor is always filled with oil. The motor life is benefited from a case drain line.

It is highly recommended that the motor runs at 30% of rated pressure for at least one hour before application of full load. Be sure the motor is filled with fluid prior to any load applications.

•马达不允许同时在最大转速和最大压力的工况下使用

•不连续运行工况 --- 指马达在此工况下每分钟运行不超过10%

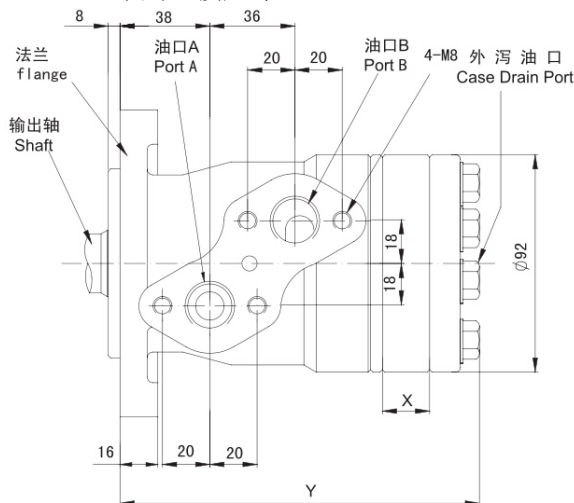
•推荐液压油: 粘度为37-73cSt, 过滤精度: ISO18/13, 系统最高温度不超过80°C

•轴密封可承受10Mpa的背压, 推荐马达背压不要超过5Mpa, 超过5Mpa时, 建议接外泄油管。马达在运行前和运行中, 应保证腔体内始终充满液压油, 以使马达得到良好的润滑和冷却

•强烈建议马达在满负荷运行前先以30%的负荷运行约1小时, 以使马达得到充分的磨合

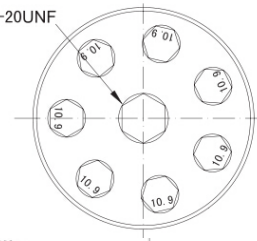
•SMPS Series Dimensions

SMPS 系列连接尺寸



外泄油口

Case Drain Port:
None
Or M14X1.5
Or G1/4"
Or 7/16-20UNF

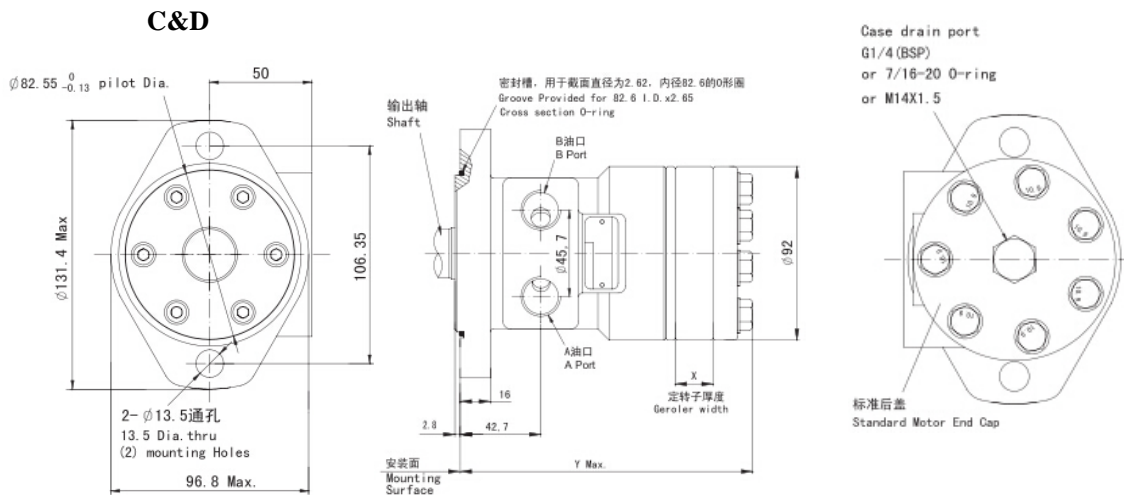
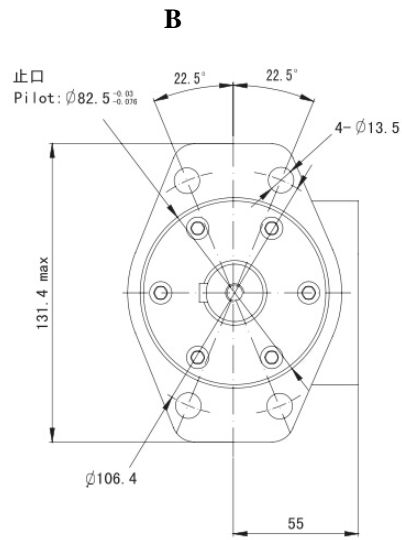
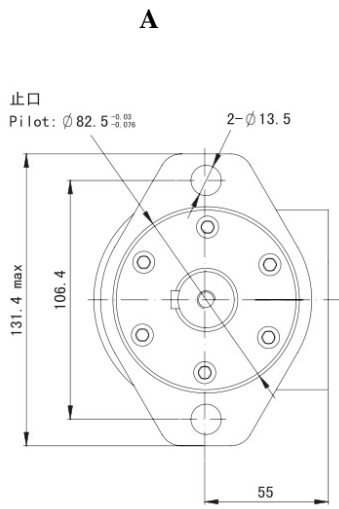


油口螺纹:
Port:

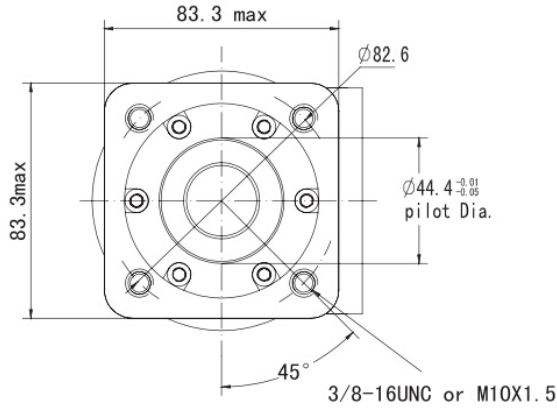
| | |
|--------------------|-----------|
| 2-7/8-14UNF O-ring | 2-M18X1.5 |
| 2-1/2-14NPTF | 2-M20X1.5 |
| 2-G1/2 (BSP) | 2-M22X1.5 |
| 2-3/4-16 O-ring | 2-PT1/2 |

| Displ. 排量 | 50 | 63 | 80 | 100 | 125 | 160 | 200 | 245 | 305 | 370 | 395 |
|-----------|-------|-------|-------|-------|-------|-------|-------|-------|-------|-------|-------|
| X mm | 9.0 | 11.5 | 14.4 | 18.0 | 22.8 | 28.9 | 35.6 | 44.7 | 56.0 | 67.9 | 72.0 |
| Y mm | 143.3 | 145.8 | 148.7 | 152.4 | 157.1 | 163.2 | 170.0 | 178.9 | 190.3 | 202.2 | 206.3 |

•SMPS Series Dimensions——Mounting
SMPS 系列法兰连接尺寸



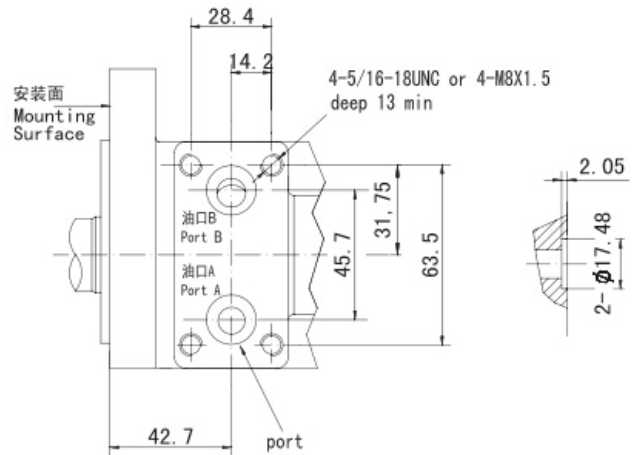
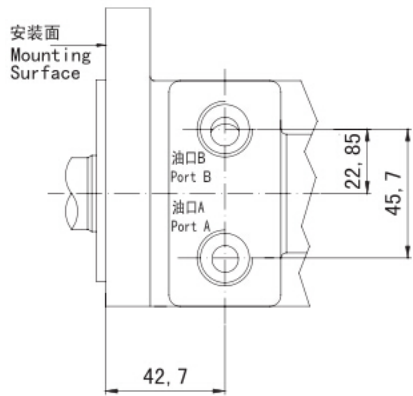
E&F



油口螺纹：

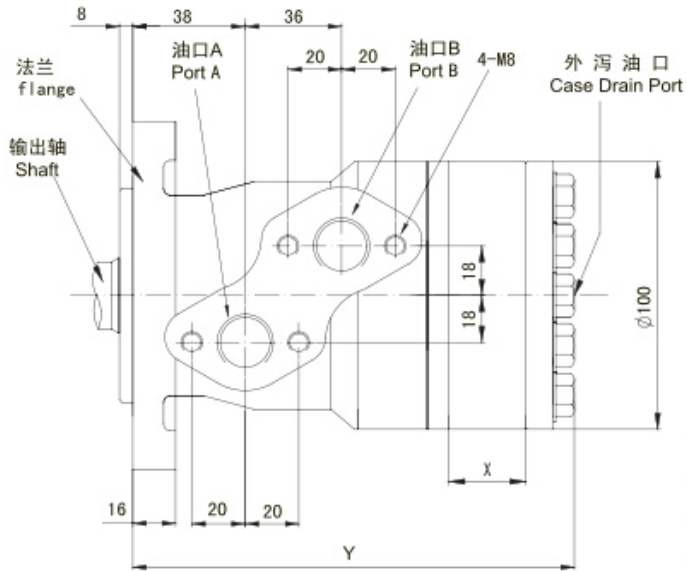
Port：

| | |
|--------------------|-----------|
| 2-7/8-14UNF O-ring | 2-M18X1.5 |
| 2-1/2-14NPTF | 2-M20X1.5 |
| 2-G1/2 (BSP) | 2-M22X1.5 |
| 2-3/4-16 O-ring | 2-PT1/2 |

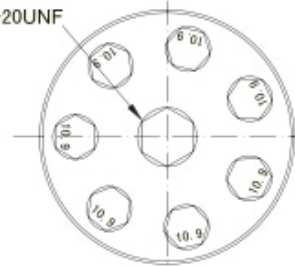


| Displ. 排量 | 50 | 63 | 80 | 100 | 125 | 160 | 200 | 245 | 305 | 370 | 395 |
|-----------|-------|-------|-------|-------|-------|-------|-------|-------|-------|-------|-------|
| X mm | 9.0 | 11.5 | 14.4 | 18.0 | 22.8 | 28.9 | 35.6 | 44.7 | 56.0 | 67.9 | 72.0 |
| Y mm | 146.3 | 146.8 | 151.7 | 155.4 | 160.1 | 166.2 | 173.0 | 181.9 | 193.3 | 205.2 | 209.3 |

•SMRS Series Dimensions
SMRS 系列连接尺寸



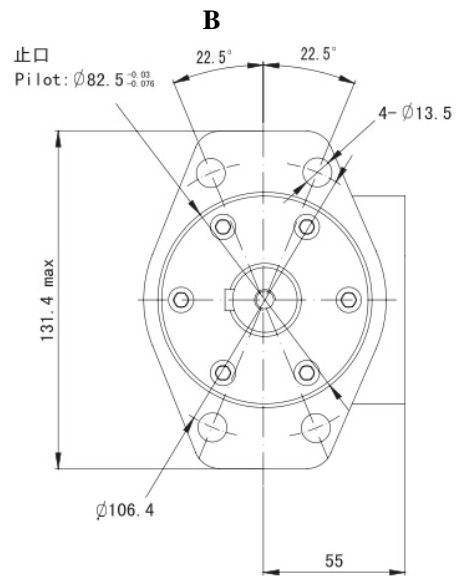
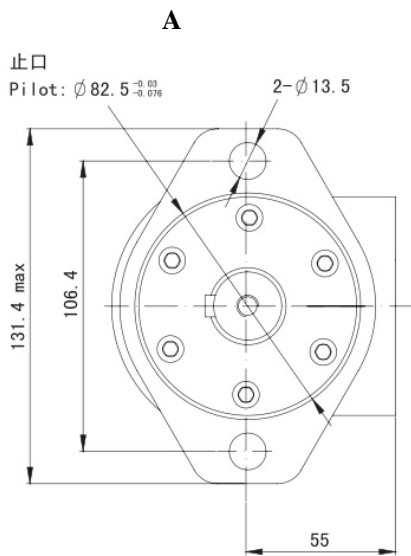
外泻油口
Case Drain Port:
None
Or M14X1.5
Or G1/4"
Or 7/16-20UNF



| | |
|--------------------|-----------|
| 2-7/8-14UNF O-ring | 2-M18X1.5 |
| 2-1/2-14NPTF | 2-M20X1.5 |
| 2-G1/2 (BSP) | 2-M22X1.5 |
| 2-3/4-16 O-ring | 2-PT1/2 |

| Displ. 排量 | 50 | 63 | 80 | 100 | 125 | 160 | 200 | 245 | 305 | 370 | 395 |
|-----------|-----|------|------|------|------|------|------|------|------|------|------|
| X mm | 9.0 | 11.5 | 14.4 | 18.0 | 22.8 | 28.9 | 35.6 | 44.7 | 56.0 | 67.9 | 72.0 |
| Y mm | 140 | 143 | 146 | 149 | 154 | 160 | 167 | 176 | 187 | 199 | 203 |

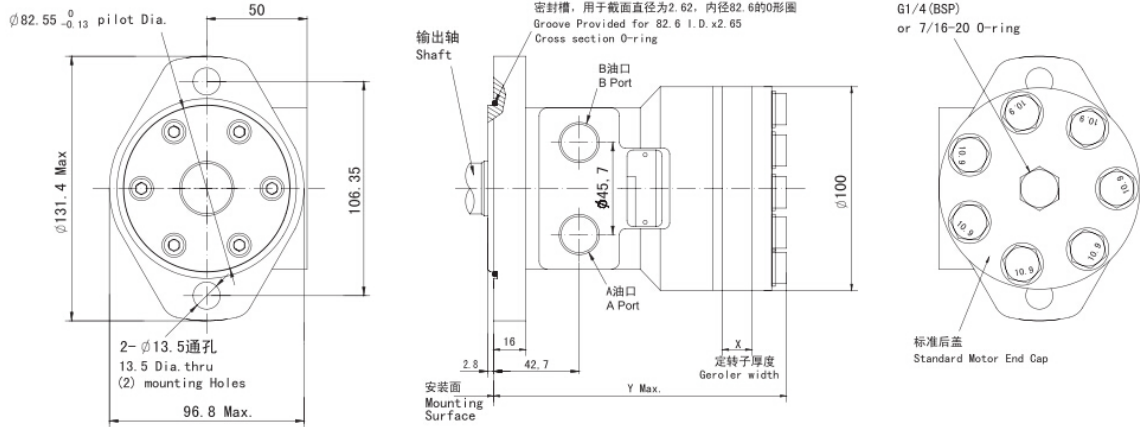
•SMRS Series Dimensions—Mounting
SMRS 系列法兰连接尺寸



6

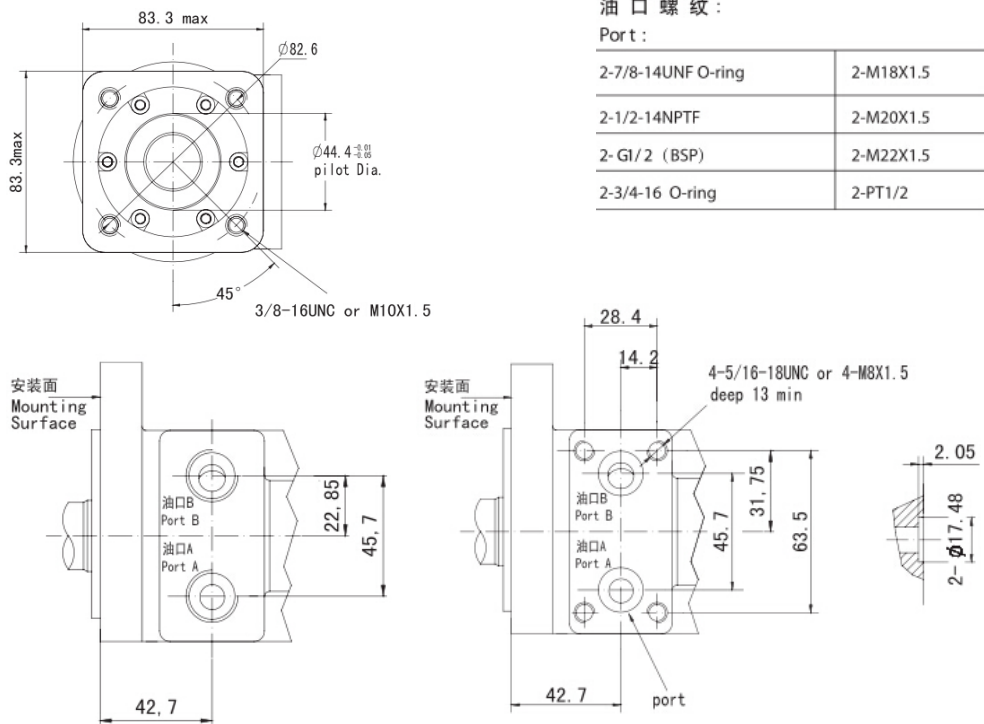
C&D

2螺栓法兰
2 bolt flange



| Displ. 排量 | 50 | 63 | 80 | 100 | 125 | 160 | 200 | 245 | 305 | 370 | 395 |
|-----------|-------|-------|-------|-------|-------|-------|-------|-------|-------|-------|-------|
| X mm | 9.0 | 11.5 | 14.4 | 18.0 | 22.8 | 28.9 | 35.6 | 44.7 | 56.0 | 67.9 | 72.0 |
| Y mm | 143.3 | 145.8 | 148.7 | 152.4 | 157.1 | 163.2 | 170.0 | 178.9 | 190.3 | 202.2 | 206.3 |

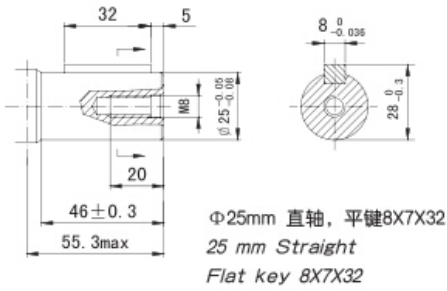
E&F



油口螺纹:

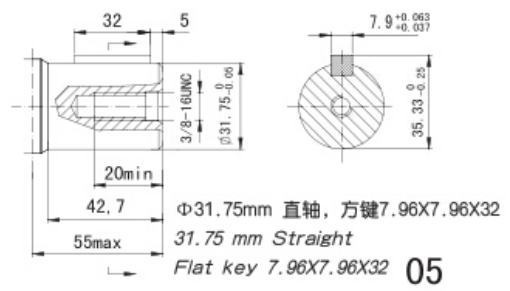
| Port: | |
|--------------------|-----------|
| 2-7/8-14UNF O-ring | 2-M18X1.5 |
| 2-1/2-14NPTF | 2-M20X1.5 |
| 2-G1/2 (BSP) | 2-M22X1.5 |
| 2-3/4-16 O-ring | 2-PT1/2 |

Dimensions ---Shafts SMPS/SMRS Series
SMPS/SMRS系列马达输出轴尺寸



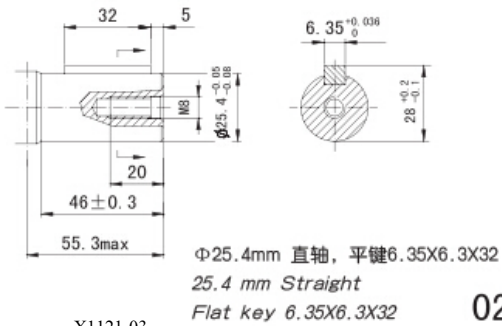
01

1121-15



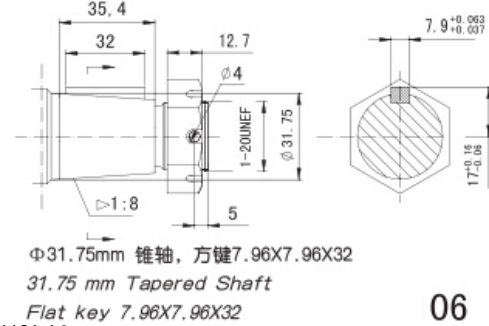
05

1121-33



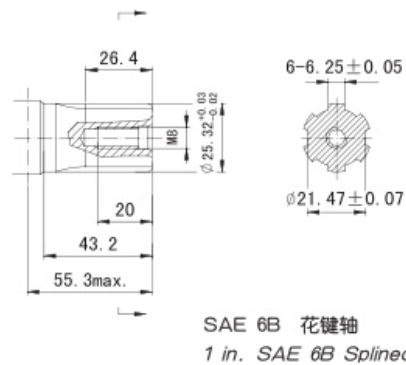
02

X1121-03



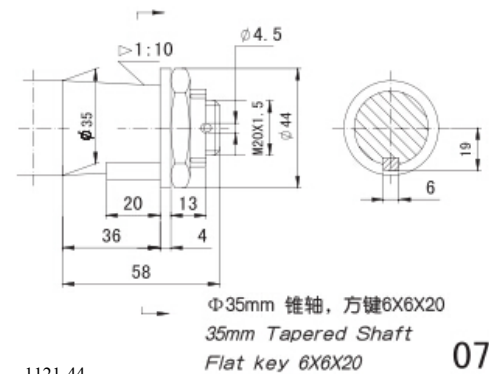
06

1121-16



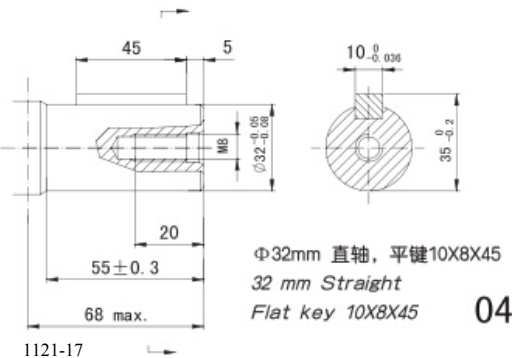
03

1121-31



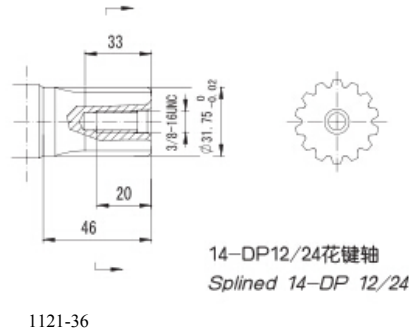
07

1121-44



04

1121-17

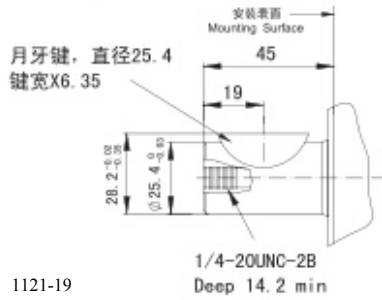


08

1121-36

1英寸直轴，月牙键

1 in. Dia. Straight with Woodruff Key

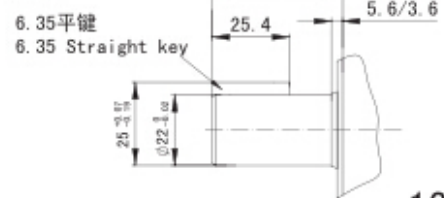


1121-19

09

7/8英寸，直轴，平键

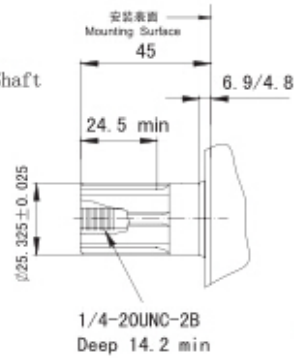
7/8 in. Dia. Straight
Shaft with Key



13

SAE 6B花键轴

SAE 6B Splined Shaft

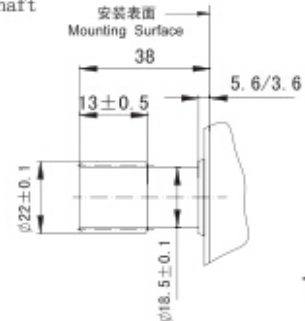


1121-25

10

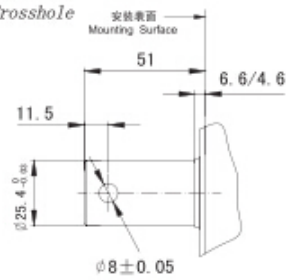
7/8英寸，SEA B 输出轴，13T花键

7/8 in. Dia. SAE B Shaft
13 T Splined



14

直径1英寸，直轴，有0.315英寸直径的垂直通孔
1 in. Dia. Straight Shaft
with .315 Dia. Crosshole

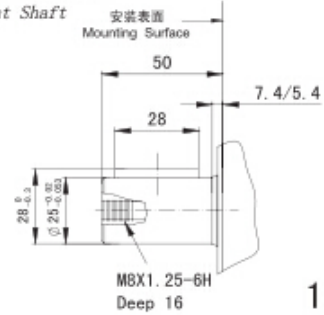


1121-26

11

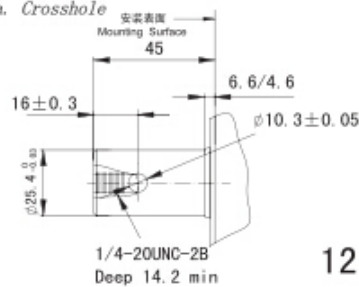
25mm 直径，直轴有8mm宽的键槽

25mm Dia. Straight Shaft
with 8mm Keyway



15

直径1英寸，直轴，有0.406英寸直径的垂直通孔
1 in. Dia. Straight Shaft
with .406 Dia. Crosshole

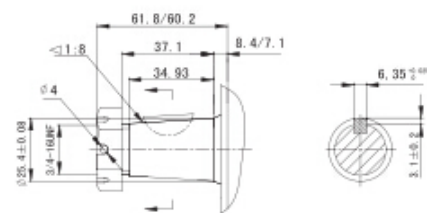


1121-27

12

1英寸，锥轴，带有月牙键和螺母

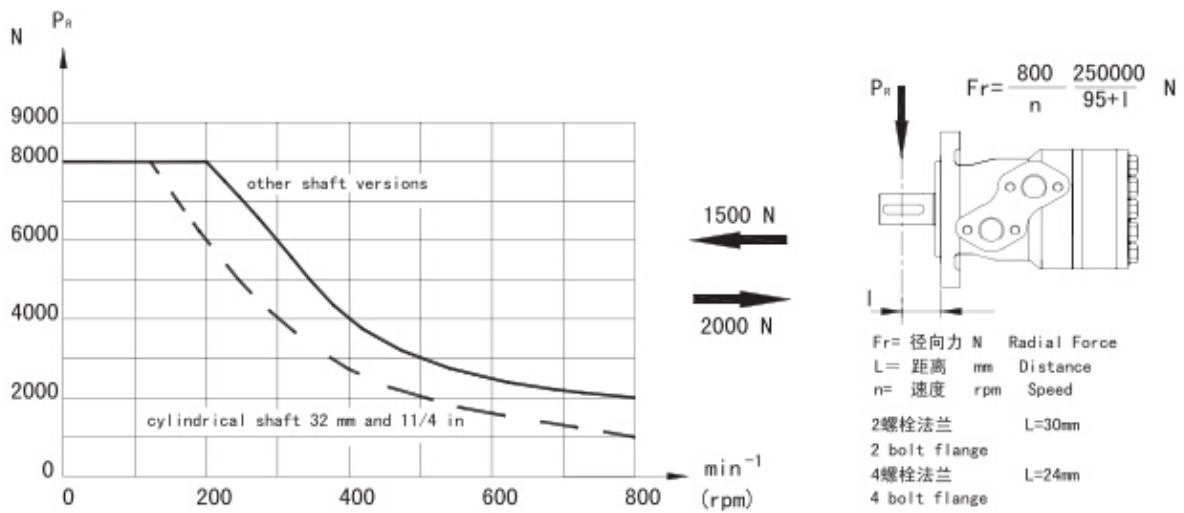
1 in. Dia. Tapered Shaft
with Woodruff Key and Nut



16

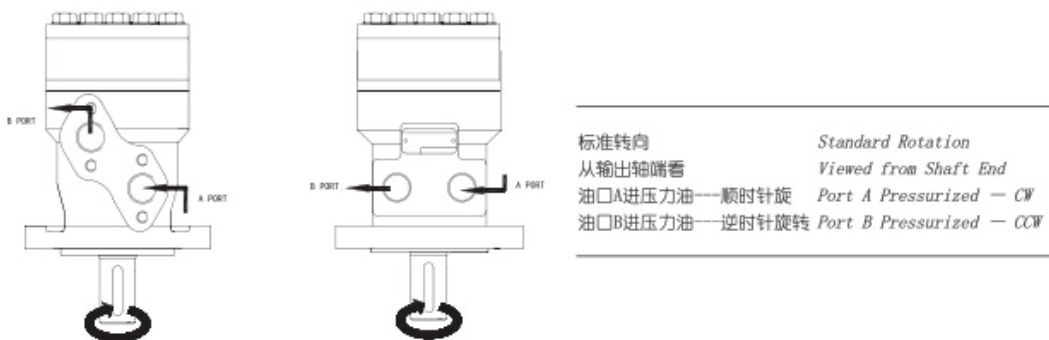
Permissible Shaft Load For SMPS/SMRS

SMPS/SMRS的轴负载容许值



SMPS/SMRS Standard Rotation

SMPS/SMRS马达标准旋向



Order Information
订货信息

| 1 | 2 | 3 | 4 | 5 | 6 | 7 | 8 | 9 | 10 | 11 | 12 | 13 | 14 | 15 |
|---|---|-----|---|---|---|---|---|---|----|----|----|----|----|----|
| S | M | P/R | S | | | | | | | | | | | |

Position 1,2,3 , 4---SMP/RS Series Motor

第1, 2, 3,4位数字, 表示SMP/RS系列马达

Position 5,6 ----Displacement, cc/r

第5, 6位数字, 表示马达排量

| | | | |
|------------|-------------|-------------|-------------|
| 01 ---- 50 | 04 ---- 100 | 07 ---- 200 | 10 ---- 370 |
| 02 ---- 63 | 05 ---- 125 | 08 ---- 250 | 11 ---- 395 |
| 03 ---- 80 | 06 ---- 160 | 09 ---- 305 | |

位置 7.....法兰和止口

Position Flang and pilot

 A.....2孔菱形法兰, 止口 Φ 82.5X8mm.

 2 bolt flang, pilot Φ 82.5X8mm

 B.....4孔菱形法兰, 止口 Φ 82.5X8mm.

 4 bolt flang, pilot Φ 82.5X8mm

 C.....2孔菱形法兰, 止口 Φ 82.5X2.8mm.

 2 bolt flang, pilot Φ 82.5X2.8mm

 D.....4孔菱形法兰, 止口 Φ 82.5X2.8mm.

 4 bolt flang, pilot Φ 82.5X2.8mm

 E.....4-3/8-16 方法兰, 止口 Φ 44.4X2.8mm.

 4-3/8-16 Square flang, pilot Φ 44.4X2.8mm

 F.....4-M10X1.5 方法兰, 止口 Φ 44.4X2.8mm.

 4-M10X1.5 Square flang, pilot Φ 44.4X2.8mm

位置 8 9.....输出轴

Position Shaft

 0 1..... Φ 25mm直轴, 平键8X7X32

 Φ 25mm Straight Flat Key 8x7x32

- 0 2..... Φ 25.4mm直轴, 平键6.35X6.35X32
 Φ 25.4mm Straight Flat Key 6.35x6.35x32
- 0 3.....SAE 6B 花键轴,
 1 in.SAE 6B Splined
- 0 4..... Φ 32mm直轴, 平键10X8X45
 Φ 32mm Straight Flat Key 10x8x45
- 0 5..... Φ 31.75mm直轴, 方键7.96X7.96X32
 Φ 31.75mm Straight Flat Key 7.96X7.96X32
- 0 6..... Φ 31.75mm锥轴, 方键7.96X7.96X32
 Φ 31.75mm Tapered Shaft Flat Key 7.96X7.96X32
- 0 7..... Φ 35mm锥轴, 方键6X6X20
 Φ 35mm Tapered Shaft Flat Key 6X6X20
- 0 8.....14-DP12/24 花键轴,
 Splined 14-DP 12/24
- 0 9..... Φ 25.4直轴, 月牙键
 1in.Dia. Straight with Woodruff Key
- 1 0.....SAE 6B 花键轴,
 SAE 6B Splined Shaft
- 1 1.....直径 Φ 25.4, 直轴, 有 Φ 8直径的垂直通孔
 1in.Dia. Splined Shaft with 0.315Dia.Crosshole
- 1 2.....直径 Φ 25.4, 直轴, 有 Φ 10英寸直径的垂直通孔
 1in.Dia. Splined Shaft with .406 Dia.Crosshole
- 1 3.....7/8英寸, 直轴, 平键
 7/8in.Dia. Straight Φ Shaft with Key
- 1 4.....7/8英寸, SAE B输出轴, 13T花键; 7/8in.Dia. SAE B Shaft 13T Splined
- 1 5..... Φ 25mm直轴, 直轴有8mm宽的键槽
 Φ 25 Straight Shaft, with 8mm Keyway
- 1 6..... Φ 25.4锥轴,带有月牙键和螺母
 1in.Dia. Tapered Shaft, with Woodruff Key and Nut

Position位置 10..... port油口

A.....G1/2(BSP)

B.....1/2-14NPTF

C.....M18X1.5

D.....7/8-14UNF O-ring

E.....G1/2 O-ring

F.....M22X1.5

G.....4-5/16-18UNC板式连接

H.....4-M8X1.5板式连接

I.....PT(RC)

J.....M20X1.5

Position位置 11..... 泻油口Drain port

0.....无 none

1.....G1/4

2.....7/16-20UNF

3.....M14X1.5

4.....PT(RC)1/4

5.....M20X1

Position位置 12..... 颜色Paint

A.....不喷漆 no paint

B.....标准蓝色Blue

C.....标准黑色 Black

Position位置 13..... Motor Rotation 马达旋转方向

Viewed From Shaft End

面对输出轴轴端

A – Port A Pressurized CW

A油口进压力油，顺时针旋转

B – Port A Pressurized CCW

A油口进压力油，逆时针旋转

SMPS Series Order Information

| Flange | Shaft | Ports | Displacement cc/r | | | | | | | | | | |
|--------------|-----------------------------|---------------|-------------------|------|------|------|------|------|------|------|------|------|------|
| | | | 50 | 63 | 80 | 100 | 125 | 160 | 200 | 250 | 305 | 400 | 500 |
| 2Bolt Flange | 1in.Straight w/Woodruffkey | 7/8-14 O-ring | 111m1010 | 1011 | 1012 | 1013 | 101a | 1014 | 1015 | 1016 | 1017 | 1018 | 1019 |
| | | 1/2 NPTF | 111m1020 | 1021 | 1022 | 1023 | 102a | 1024 | 1025 | 1026 | 1027 | 1028 | 1029 |
| | | Manifold* | 111m1030 | 1031 | 1032 | 1033 | 103a | 1034 | 1035 | 1036 | 1037 | 1038 | 1039 |
| | 1in.SAE 6B Splined | 7/8-14 O-ring | 111m1110 | 1111 | 1112 | 1113 | 111a | 1114 | 1115 | 1116 | 1117 | 1118 | 1119 |
| | | 1/2 NPTF | 111m1120 | 1121 | 1122 | 1123 | 112a | 1124 | 1125 | 1126 | 1127 | 1128 | 1129 |
| | | Manifold* | 111m1130 | 1131 | 1132 | 1133 | 113a | 1134 | 1135 | 1136 | 1137 | 1138 | 1139 |
| | 1in.Straight Pin hole Ø0.31 | 7/8-14 O-ring | 111m1210 | 1211 | 1212 | 1213 | 121a | 1214 | 1215 | 1216 | 1217 | 1218 | 1219 |
| | | 1/2 NPTF | 111m1220 | 1221 | 1222 | 1223 | 122a | 1224 | 1225 | 1226 | 1227 | 1228 | 1229 |
| | | Manifold* | 111m1230 | 1231 | 1232 | 1233 | 123a | 1234 | 1235 | 1236 | 1237 | 1238 | 1239 |
| | 1in.Straight Pin hole Ø0.4 | 7/8-14 O-ring | 111m1310 | 1311 | 1312 | 1313 | 131a | 1314 | 1315 | 1316 | 1317 | 1318 | 1319 |
| | | 1/2 NPTF | 111m1320 | 1321 | 1322 | 1323 | 132a | 1324 | 1325 | 1326 | 1327 | 1328 | 1329 |
| | | Manifold* | 111m1330 | 1331 | 1332 | 1333 | 133a | 1334 | 1335 | 1336 | 1337 | 1338 | 1339 |
| 4Bolt Flange | 1in.Straight w/Woodruffkey | 7/8-14 O-ring | 111m2010 | 2011 | 2012 | 2013 | 201a | 2014 | 2015 | 2016 | 2017 | 2018 | 2019 |
| | | 1/2 NPTF | 111m2020 | 2021 | 2022 | 2023 | 202a | 2024 | 2025 | 2026 | 2027 | 2028 | 2029 |
| | | Manifold* | 111m2030 | 2031 | 2032 | 2033 | 203a | 2034 | 2035 | 2036 | 2037 | 2038 | 2039 |
| | 1in.SAE 6B Splined | 7/8-14 O-ring | 111m2110 | 2111 | 2112 | 2113 | 211a | 2114 | 2115 | 2116 | 2117 | 2118 | 2119 |
| | | 1/2 NPTF | 111m2120 | 2121 | 2122 | 2123 | 212a | 2124 | 2125 | 2126 | 2127 | 2128 | 2129 |
| | | Manifold* | 111m2130 | 2131 | 2132 | 2133 | 213a | 2134 | 2135 | 2136 | 2137 | 2138 | 2139 |
| | 1in.Straight Pin hole Ø0.31 | 7/8-14 O-ring | 111m2210 | 2211 | 2212 | 2213 | 221a | 2214 | 2215 | 2216 | 2217 | 2218 | 2219 |
| | | 1/2 NPTF | 111m2220 | 2221 | 2222 | 2223 | 222a | 2224 | 2225 | 2226 | 2227 | 2228 | 2229 |
| | | Manifold* | 111m2230 | 2231 | 2232 | 2233 | 223a | 2234 | 2235 | 2236 | 2237 | 2238 | 2239 |
| | 1in.Straight Pin hole Ø0.4 | 7/8-14 O-ring | 111m2310 | 2311 | 2312 | 2313 | 231a | 2314 | 2315 | 2316 | 2317 | 2318 | 2319 |
| | | 1/2 NPTF | 111m2320 | 2321 | 2322 | 2323 | 232a | 2324 | 2325 | 2326 | 2327 | 2328 | 2329 |
| | | Manifold* | 111m2330 | 2331 | 2332 | 2333 | 233a | 2334 | 2335 | 2336 | 2337 | 2338 | 2339 |

SMPS 系列马达订货信息

| 法兰 | 输出轴 | 油口 | 排量 cc/r | | | | | | | | | | |
|------|----------------------|---------------|----------|------|------|------|------|------|------|------|------|------|------|
| | | | 50 | 63 | 80 | 100 | 125 | 160 | 200 | 250 | 305 | 400 | 500 |
| 2孔法兰 | 直径Ø 25.4轴，半圆键 | 7/8-14 O-ring | 111m1010 | 1011 | 1012 | 1013 | 101a | 1014 | 1015 | 1016 | 1017 | 1018 | 1019 |
| | | 1/2 NPTF | 111m1020 | 1021 | 1022 | 1023 | 102a | 1024 | 1025 | 1026 | 1027 | 1028 | 1029 |
| | | 板式连接 | 111m1030 | 1031 | 1032 | 1033 | 103a | 1034 | 1035 | 1036 | 1037 | 1038 | 1039 |
| | 直径Ø 25.4，SAE 6B 矩形花键 | 7/8-14 O-ring | 111m1110 | 1111 | 1112 | 1113 | 111a | 1114 | 1115 | 1116 | 1117 | 1118 | 1119 |
| | | 1/2 NPTF | 111m1120 | 1121 | 1122 | 1123 | 112a | 1124 | 1125 | 1126 | 1127 | 1128 | 1129 |
| | | 板式连接 | 111m1130 | 1131 | 1132 | 1133 | 113a | 1134 | 1135 | 1136 | 1137 | 1138 | 1139 |
| | Ø25.4轴，轴头通孔Ø 7.9 | 7/8-14 O-ring | 111m1210 | 1211 | 1212 | 1213 | 121a | 1214 | 1215 | 1216 | 1217 | 1218 | 1219 |
| | | 1/2 NPTF | 111m1220 | 1221 | 1222 | 1223 | 122a | 1224 | 1225 | 1226 | 1227 | 1228 | 1229 |
| | | 板式连接 | 111m1230 | 1231 | 1232 | 1233 | 123a | 1234 | 1235 | 1236 | 1237 | 1238 | 1239 |
| | Ø25.4轴，轴头通孔Ø 10 | 7/8-14 O-ring | 111m1310 | 1311 | 1312 | 1313 | 131a | 1314 | 1315 | 1316 | 1317 | 1318 | 1319 |
| | | 1/2 NPTF | 111m1320 | 1321 | 1322 | 1323 | 132a | 1324 | 1325 | 1326 | 1327 | 1328 | 1329 |
| | | 板式连接 | 111m1330 | 1331 | 1332 | 1333 | 133a | 1334 | 1335 | 1336 | 1337 | 1338 | 1339 |
| 4孔法兰 | 直径Ø 25.4轴，半圆键 | 7/8-14 O-ring | 111m2010 | 2011 | 2012 | 2013 | 201a | 2014 | 2015 | 2016 | 2017 | 2018 | 2019 |
| | | 1/2 NPTF | 111m2020 | 2021 | 2022 | 2023 | 202a | 2024 | 2025 | 2026 | 2027 | 2028 | 2029 |
| | | 板式连接 | 111m2030 | 2031 | 2032 | 2033 | 203a | 2034 | 2035 | 2036 | 2037 | 2038 | 2039 |
| | 直径Ø 25.4，SAE 6B 矩形花键 | 7/8-14 O-ring | 111m2110 | 2111 | 2112 | 2113 | 211a | 2114 | 2115 | 2116 | 2117 | 2118 | 2119 |
| | | 1/2 NPTF | 111m2120 | 2121 | 2122 | 2123 | 212a | 2124 | 2125 | 2126 | 2127 | 2128 | 2129 |
| | | 板式连接 | 111m2130 | 2131 | 2132 | 2133 | 213a | 2134 | 2135 | 2136 | 2137 | 2138 | 2139 |
| | Ø25.4轴，轴头通孔Ø 7.9 | 7/8-14 O-ring | 111m2210 | 2211 | 2212 | 2213 | 221a | 2214 | 2215 | 2216 | 2217 | 2218 | 2219 |
| | | 1/2 NPTF | 111m2220 | 2221 | 2222 | 2223 | 222a | 2224 | 2225 | 2226 | 2227 | 2228 | 2229 |
| | | 板式连接 | 111m2230 | 2231 | 2232 | 2233 | 223a | 2234 | 2235 | 2236 | 2237 | 2238 | 2239 |
| | Ø25.4轴，轴头通孔Ø 10 | 7/8-14 O-ring | 111m2310 | 2311 | 2312 | 2313 | 231a | 2314 | 2315 | 2316 | 2317 | 2318 | 2319 |
| | | 1/2 NPTF | 111m2320 | 2321 | 2322 | 2323 | 232a | 2324 | 2325 | 2326 | 2327 | 2328 | 2329 |
| | | 板式连接 | 111m2330 | 2331 | 2332 | 2333 | 233a | 2334 | 2335 | 2336 | 2337 | 2338 | 2339 |

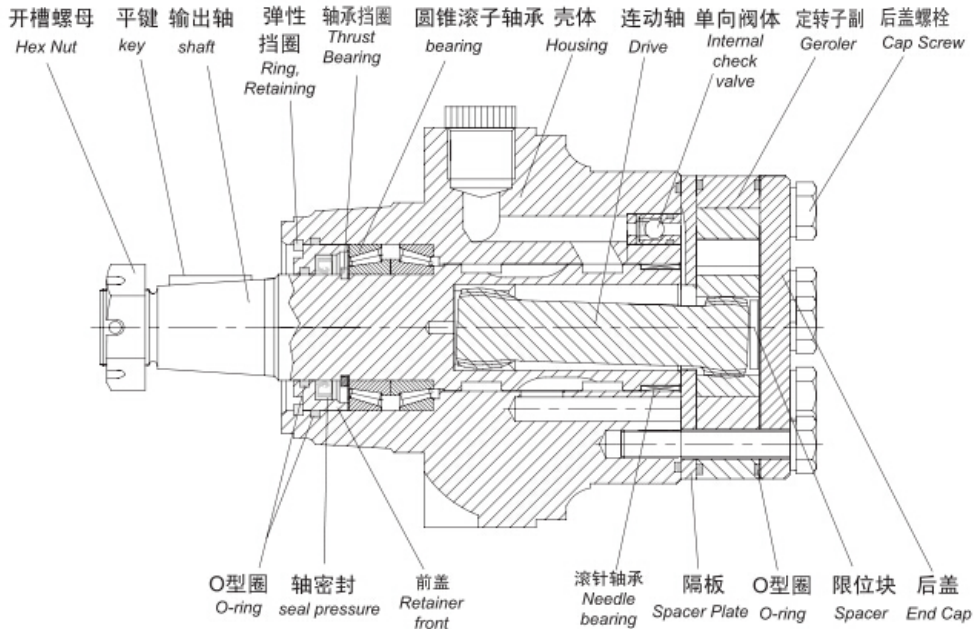
SMRS Series Order Information

| Flange&Pilot | Shaft | Port&Drain | Displacement cc/r | | | | | | | | | | |
|-----------------------------------|-----------------------------------|-----------------------------------------|-----------------------------|----------|------|------|------|------|------|------|------|------|------|
| | | | 50 | 63 | 80 | 100 | 125 | 160 | 200 | 245 | 305 | 370 | 395 |
| 2 Bolt Flat Pilot Pilot Φ82.55 | Straight Φ25 Flat key 8 | Staggerred port M18X1.5 No case drain | 136m0380 | 0381 | 0382 | 0383 | 038A | 0384 | 0385 | 0386 | 0387 | 0388 | 0389 |
| | | Staggerred port G1/2, No case drain | 136m0390 | 0391 | 0392 | 0393 | 039A | 0394 | 0395 | 0396 | 0397 | 0398 | 0399 |
| | Straight Φ25.4 Flat key 6.35Φ25.4 | Aligned port G1/2"Case drain M14X1.5 | 136m0400 | 0401 | 0402 | 0403 | 040A | 0404 | 0405 | 0406 | 0407 | 0408 | 0409 |
| | | Staggerred port M18X1.5 No case drain | 136m0410 | 0411 | 0412 | 0413 | 041A | 0414 | 0415 | 0416 | 0417 | 0418 | 0419 |
| | Straight Φ25 Flat key 8 | Staggerred port G1/2, No case drain | 136m0420 | 0421 | 0422 | 0423 | 042A | 0424 | 0425 | 0426 | 0427 | 0428 | 0429 |
| | | Aligned port NPTF1/2Case drain M14X1.5 | 136m0480 | 0481 | 0482 | 0483 | 048A | 0484 | 0485 | 0486 | 0487 | 0488 | 0489 |
| | Straight Φ25.4 Flat key 6.35Φ25.4 | Aligned port G1/2"Case drain G1/4 | 136m9510 | 9511 | 9512 | 9513 | 951A | 9514 | 9515 | 9516 | 9517 | 9518 | 9519 |
| | | Staggerred port 7/8-14UN, No case drain | 136m9810 | 9811 | 9812 | 9813 | 981A | 9814 | 9815 | 9816 | 9817 | 9818 | 9819 |
| | Straight Φ25 Flat key 8 | Staggerred port G1/2 Case Drain G1/4 | 136m9390 | 9391 | 9392 | 9393 | 939A | 9394 | 9395 | 9396 | 9397 | 9398 | 9399 |
| | | 4 Pilot Flange, pilot Φ80 | port M18X1.5, No case drain | 136m0010 | 0011 | 0012 | 0013 | 001A | 0014 | 0015 | 0016 | 0017 | 0018 |
| | Straight Φ25 Flat key 8 | | M18X1.5, Case Drain M14X1.5 | 136m0020 | 0021 | 0022 | 0023 | 002A | 0024 | 0025 | 0026 | 0027 | 0028 |

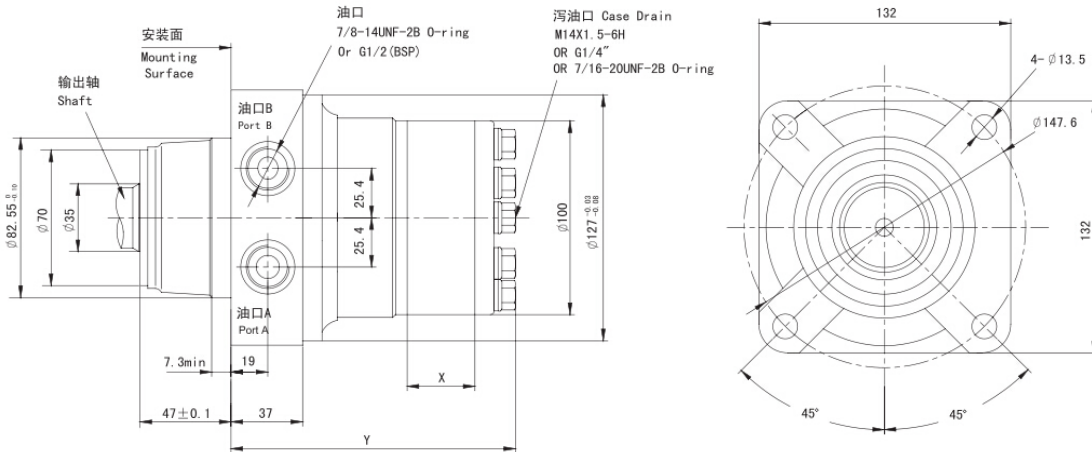
SMRS 系列马达订货信息

| 法兰止口 | 输出轴 | 油口 | 排量cc/r | | | | | | | | | | |
|------------------|-----------------|-----------------------------|-----------------------|----------|------|------|------|------|------|------|------|------|------|
| | | | 50 | 63 | 80 | 100 | 125 | 160 | 200 | 245 | 305 | 370 | 395 |
| 2孔菱形法兰, 止口Φ82.55 | Φ25直轴, 平键8 | 油口M18X1.5, 内泄 | 136m0380 | 0381 | 0382 | 0383 | 038A | 0384 | 0385 | 0386 | 0387 | 0388 | 0389 |
| | | 油口G1/2, 内泄 | 136m0390 | 0391 | 0392 | 0393 | 039A | 0394 | 0395 | 0396 | 0397 | 0398 | 0399 |
| | Φ25.4直轴, 平键6.35 | 交错油口面, 油口G1/2,泄油口M14X1.5 | 136m0400 | 0401 | 0402 | 0403 | 040A | 0404 | 0405 | 0406 | 0407 | 0408 | 0409 |
| | | 油口M18X1.5, 内泄 | 136m0410 | 0411 | 0412 | 0413 | 041A | 0414 | 0415 | 0416 | 0417 | 0418 | 0419 |
| | | 油口G1/2, 内泄 | 136m0420 | 0421 | 0422 | 0423 | 042A | 0424 | 0425 | 0426 | 0427 | 0428 | 0429 |
| | Φ25直轴, 平键8 | 交错油口面, 油口NPTF1/2,泄油口M14X1.5 | 136m0480 | 0481 | 0482 | 0483 | 048A | 0484 | 0485 | 0486 | 0487 | 0488 | 0489 |
| | | Φ25.4直轴, 平键6.35 | 交错油口面, 油口G1/2,泄油口G1/4 | 136m9510 | 9511 | 9512 | 9513 | 951A | 9514 | 9515 | 9516 | 9517 | 9518 |
| | Φ25直轴, 平键8 | | 油口7/8-4UNF, 内泄 | 136m9810 | 9811 | 9812 | 9813 | 981A | 9814 | 9815 | 9816 | 9817 | 9818 |
| | | 4孔方法兰, 止口Φ80 | 油口G1/2,泄油口G1/4 | 136m9390 | 9391 | 9392 | 9393 | 939A | 9394 | 9395 | 9396 | 9397 | 9398 |
| | Φ25直轴, 平键8 | | 油口M18X1.5, 内泄 | 136m0010 | 0011 | 0012 | 0013 | 001A | 0014 | 0015 | 0016 | 0017 | 0018 |
| | | Φ25直轴, 平键8 | 油口M18X1.5, M14X1.5 | 136m0020 | 0021 | 0022 | 0023 | 002A | 0024 | 0025 | 0026 | 0027 | 0028 |

•SMRSW Series Dimensions
SMRW 系列连接尺寸



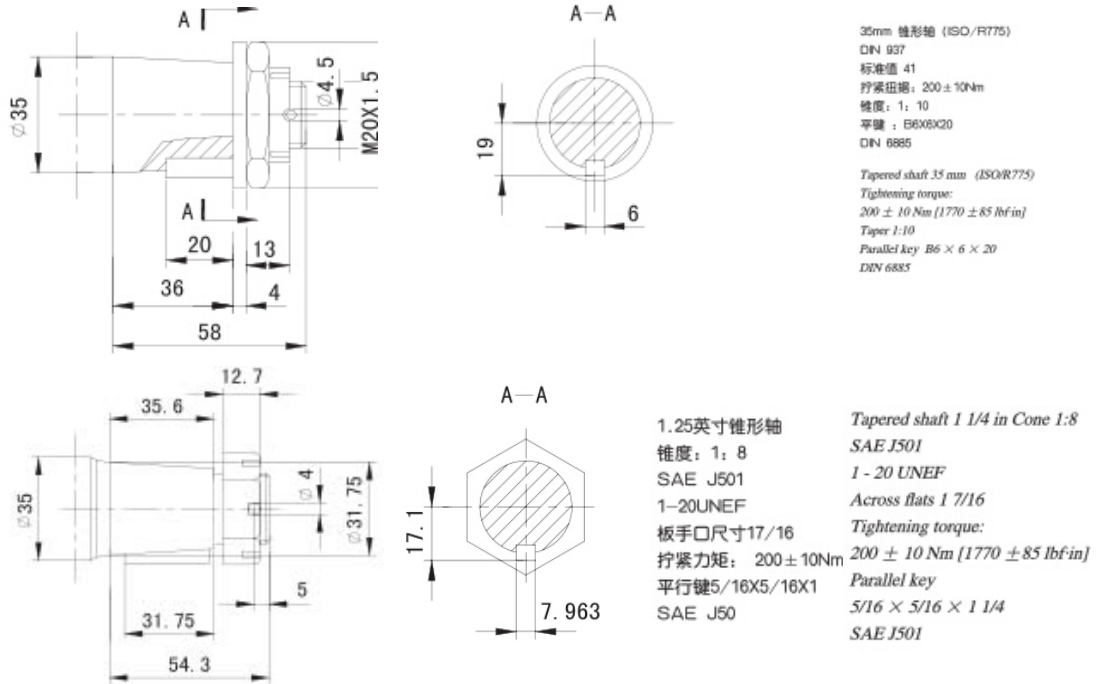
•SMRS Series Dimensions——Mounting
SMRS 系列法兰连接尺寸



| Displ. 排量 | 50 | 63 | 80 | 100 | 125 | 160 | 200 | 245 | 305 | 370 | 395 |
|-----------|-------|-------|-------|-------|-------|-------|-------|-------|-------|-------|-------|
| X mm | 9.0 | 11.5 | 14.4 | 18.0 | 22.8 | 28.9 | 35.6 | 44.7 | 56.0 | 67.9 | 72.0 |
| Y mm | 119.3 | 121.8 | 124.7 | 128.3 | 133.1 | 139.1 | 145.9 | 154.9 | 166.3 | 178.3 | 182.3 |

•SMRSW Series Shaft Dimensions
SMRW 系列输出轴连接尺寸

SMRSW轴配流液压马达



Order Information

订货信息

| | | | | | | | | | | | | | | |
|---|---|---|---|---|---|---|---|---|----|----|----|----|----|----|
| 1 | 2 | 3 | 4 | 5 | 6 | 7 | 8 | 9 | 10 | 11 | 12 | 13 | 14 | 15 |
| S | M | R | S | W | | | | | | | | | | |

Position 1,2,3 ,4, 5---SMR Series Motor

第1, 2, 3, 4, 5位数字, 表示SMRSW系列马达

Position 6,7 ----Displacement, cc/r

第5, 6位数字, 表示马达排量

| | | | | | | | | | | | |
|----|------|----|----|------|-----|----|------|-----|----|------|-----|
| 01 | ---- | 50 | 04 | ---- | 100 | 07 | ---- | 200 | 10 | ---- | 370 |
| 02 | ---- | 63 | 05 | ---- | 125 | 08 | ---- | 250 | 11 | ---- | 395 |
| 03 | ---- | 80 | 06 | ---- | 160 | 09 | ---- | 305 | | | |

Position 8,9 ----Shaft 输出轴

01——35mm Tapered Shaft, Taper1:10, Parallel Key6X10

35mm锥度轴, 锥度1:10, 平键6X20

02——1.25In Tapered Shaft, Taper1:8, Parallel Key5/16X1-1/4

31.75mm锥度轴, 锥度1:8, 平键5/16X1-1/4

Position 10 ----PORT 油口

A——7/8-14UNF “O”——Ring

7/8-14UNF 油口, “O”型圈密封

B——G1/2BSP

Position 11 ----Case Drain Port 泄油口

0——none 无

1——G1/4

2——7/16-20unf “O”-ring

3——M14x1.5

4——PT (RC) 1/4

5——M10X1

Position 12 ----Paint 喷漆颜色

A——no paint 不喷漆

B——Blue 标准蓝色

C——Black 标准黑色

Position 13 ----Rotation Direction 旋转方向

A——Standard 标准

B——Opposite 反向